



OC120T

Reduce screen glare in rooms with natural light with a tilting TV mount



PRODUCT SPECIFICATIONS*


- Fits most:** 37-70" TVs
- Supports up to:** 120 lbs (54 kg)
- Tilt:** 0° to -10°
- Mounting profile:** 2" (5 cm)
- Universal & VESA compliance:** 200x200 to 600x400
- Mounting:** Double-stud
- Warranty:** 5 years
- Color:** Black

c UL US LISTED

SERIES:



FULL MOTION



TILT



FIXED

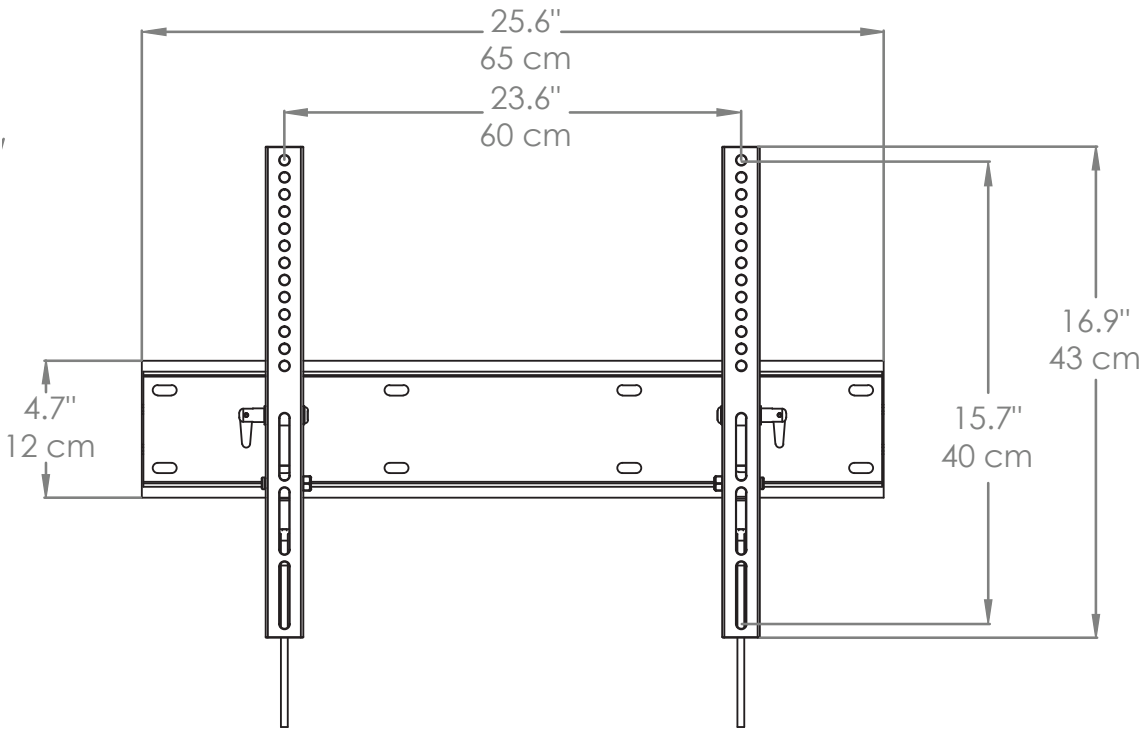
PRODUCT BENEFITS*

- Tilt TV forward to reduce glare or for overhead installations
- Ideal for TVs with back-loading connectors
- Lift n' Lock™ feature offers easy, three step installation
- Horizontal wall plate requires only two holes for quick installation
- Wall plate has integrated level
- Small footprint provides ample room for power and AV cutouts behind TV
- Vertical rails fit VESA and non-VESA TVs
- Vertical rails slide on wall plate for minor left/right repositioning
- UL listed for safety
- Complete hardware kit included

*Subject to change

OC120T

inches (mm)



	UPC	Dimensions WxDxH inches (mm)	Wt lbs (kg)	Qty
Box	698833048414	27.1 x 9.8 x 2.2 (689x249x57)	7.1 (3,2)	--
MC	10698833048411	28.4 x 10 x 10.9 (721x254x276)	29.3 (13.3)	4

Box Contents	Qty
Wall plate	1
Vertical rail	2

Box Contents	Qty
Instruction manual	1
Complete hardware kit	1



OmniMount is a registered trademark and brand of Ergotron, Inc. ©2015 Ergotron, Inc. is a Nortek Company



O6O42015