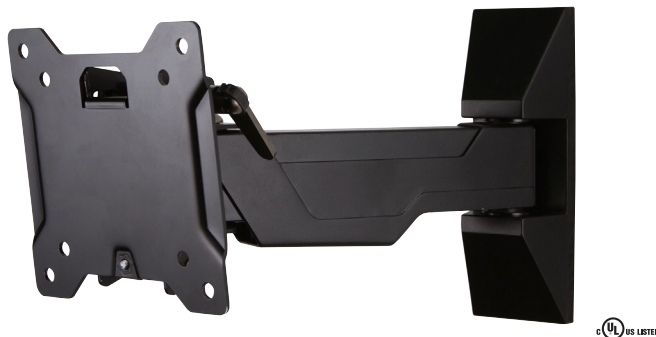


OC40FM product information sheet



The OC40FM is ideal for entry-level consumers looking for a low-profile and easy-to-use small full motion mount.

Product Benefits*

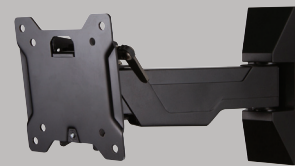
- Low 3.2" (82mm) mounting profile
- Tilt, pan and swivel for maximum viewing flexibility
- Lift n' Lock™ allows you to easily attach your TV to the mount
- Extends 9.5" (240mm) from wall when in use and retracts to 3.2" (82mm) when not in use
- Integrated cable management and plastic covers hide wires
- Allows for simple leveling adjustments post-installation
- Durable powder coat finish
- Two-tone design and modern aesthetic complements newer TVs
- Includes adapters for greater VESA compatibility
- Simple to install and use
- Ships fully assembled
- Includes complete hardware kit

Product Specifications*

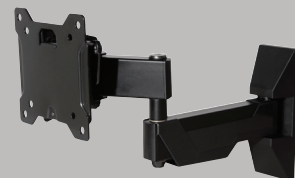
Fits most: 13–37" TVs
Supports up to: 40 lbs (18.1 kg)
Tilt: +15° to -5°
Pan: Up to 180°
Mounting profile: 3.2" (82mm)*
Maximum extension: 9.5" (240mm)*
VESA compliance: 75x75 to 200x200
Mounting: Single-stud or solid wall
UL listed: Yes
Warranty: 5 years
Color: Black

*adapter adds .2" (6mm)

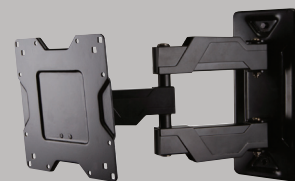
Series



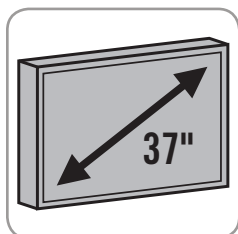
OC40FM



OC40FMX



OC80FM



Take the guess work out of choosing your perfect mount! The OC40FM is a single-arm cantilever that is compatible with most TVs up to 37" on the market today.

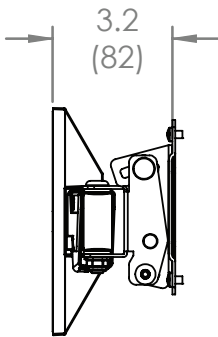
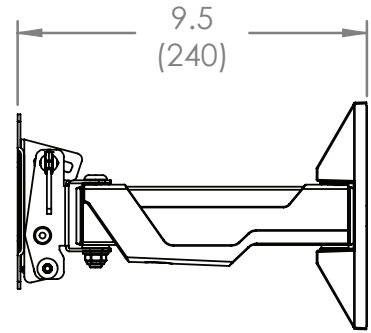
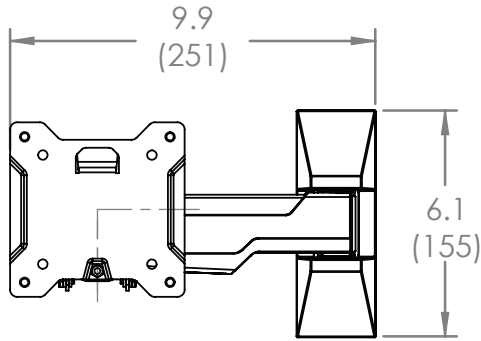
*Subject to change

800.MOUNT.IT (800.668.6848)



01022013

OC40FM technical data sheet



inches (mm)

	Packaging UPC	MC UPC
Americas	698833021950	10698833021957
International	698833021950	10698833021957

	Dimensions WxDxH Inches (mm)	Wt lbs (kg)	Qty
Box	12 x 8.2 x 3.2 (305x208x80)	3.5 (1.6)	NA
MC	13 x 12.6 x 9.3 (330x320x237)	14.8 (6.7)	4

Box Contents	Qty
Wall plate	1
Wall plate cover	1
Arm assembly (with cable management)	1
Monitor plate	1
Tilt tension handle	1

Box Contents	Qty
Complete TV hardware kit	1
Complete wall hardware kit	1
Complete hardware kit	1
Instruction Manual	1

