



OC80T.2

Reduce screen glare in rooms with natural light with a tilting TV mount



PRODUCT SPECIFICATIONS*

Fits most: 37-55" TVs

Supports up to: 80 lbs (36 kg)

Tilt: 0° to -10°

Mounting profile: 2" (5 cm)

Universal & VESA compliance:

200x200 to 400x400

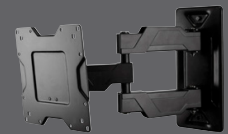
Mounting: Double-stud

Warranty: 5 years

Color: Black



SERIES:



FULL MOTION



TILT



FIXED

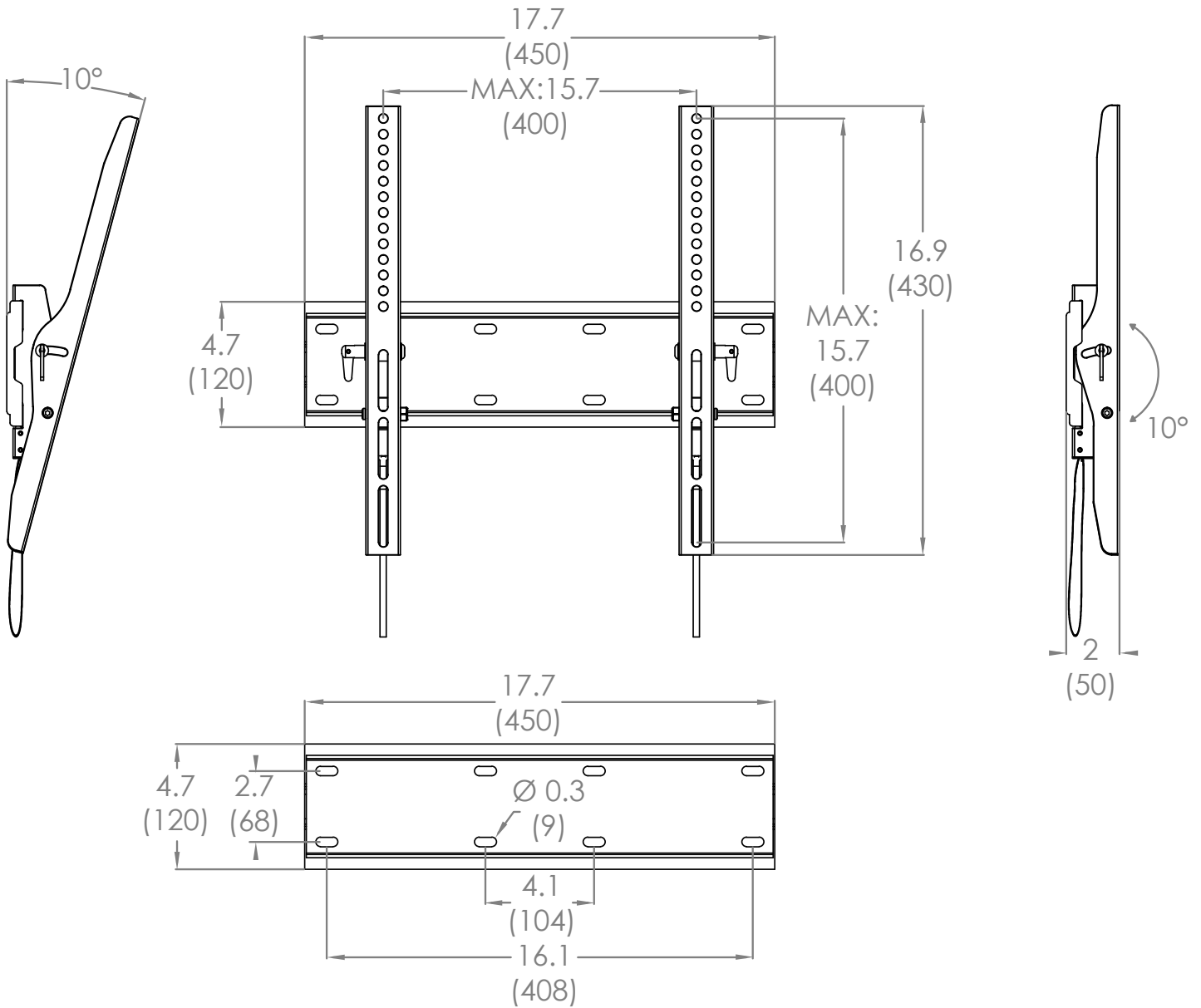
PRODUCT BENEFITS*

- Tilt TV forward to reduce glare or for overhead installations
- Ideal for TVs with back-loading connectors
- Lift n' Lock™ feature offers easy, three step installation
- Horizontal wall plate requires only two holes for quick installation
- Wall plate has integrated level
- Small footprint provides ample room for power and AV cutouts behind TV
- Vertical rails fit VESA and non-VESA TVs
- Vertical rails slide on wall plate for minor left/right repositioning
- UL listed for safety
- Complete hardware kit included

*Subject to change

OC80T.2

inches (mm)



	UPC	Dimensions WxDxH inches (mm)	Wt lbs (kg)	Qty
Box	698833048407	19.9 x 10.6 x 2.4 (505x270x62)	6.2 (2,8)	--
MC	10698833048404	20.4 x 10.3 x 12 (518x260x305)	24.5 (11,1)	4

Box Contents	Qty
Wall plate	1
Vertical rail	2

Box Contents	Qty
Instruction manual	1
Complete hardware kit	1