

OS50T product information sheet



The OS50T is a low-profile and easy-to-use small tilt mount.

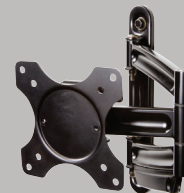
Product Benefits*

- Low 2.1" (52mm) mounting profile
- Equipped with patented gravity tilt, providing perfect tension no matter where you place your TV
- Lift n' Lock™ allows you to easily attach your TV to the mount
- Adequate spacing between TV and wall allows for cooling
- Provides ample room for cables and wires between TV and wall
- Durable powder coat finish
- Simple to install and use
- Ships fully assembled
- Includes adapters for greater VESA compatibility
- Includes complete hardware kit

Product Specifications*

Fits most: 13–37" TVs
Supports up to: 50 lbs (22.7 kg)
Tilt: Up to +18°
Mounting profile: 2.1" (52mm)
VESA compliance: 75x75 to 200x200
Mounting: Single-stud or solid wall
UL listed: Yes
Warranty: 5 years
Color: Black

Series



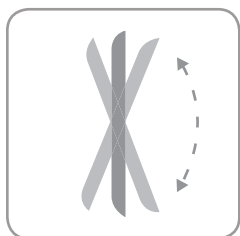
OS35FM



OS50T



OS50F



The OS50T has gravity tilt built in, allowing for perfect TV placement with minimal effort.

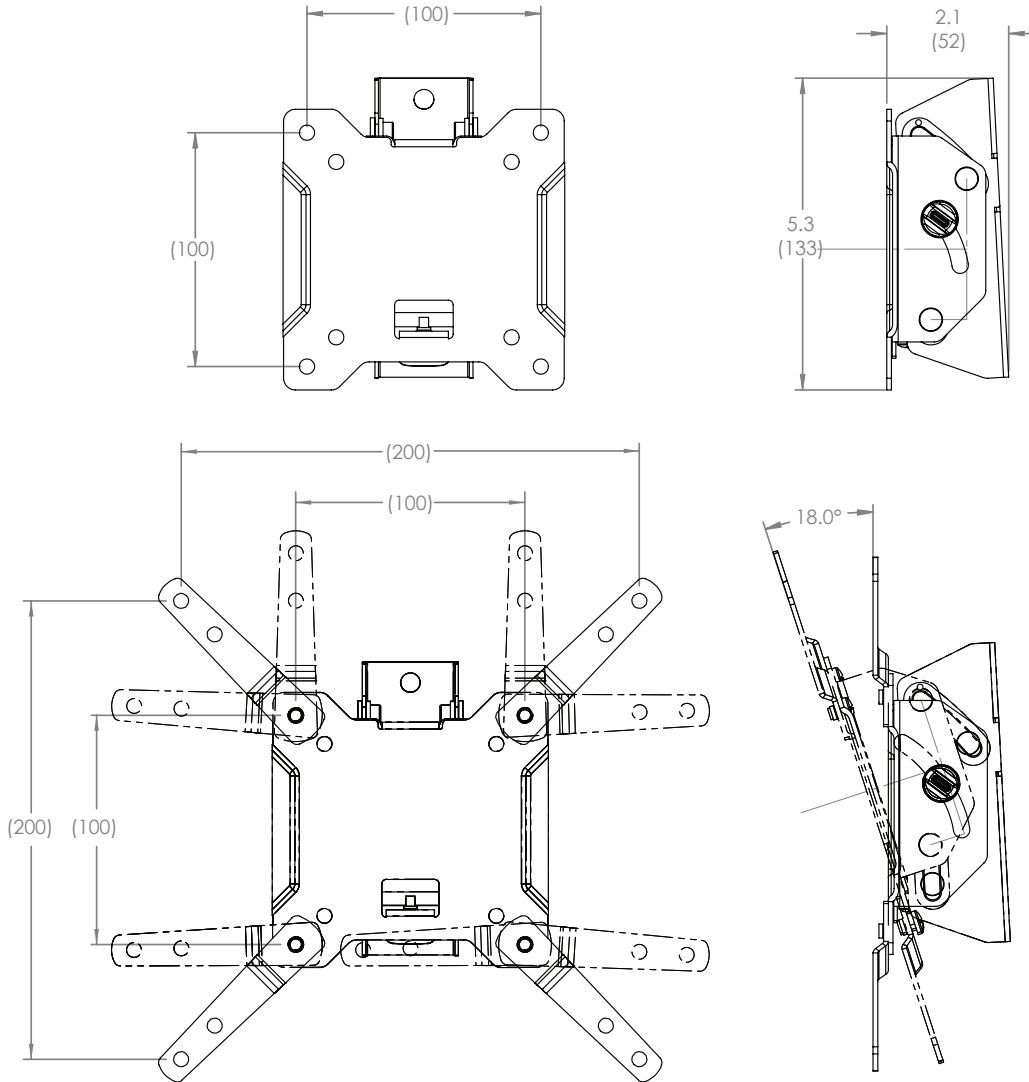
*Subject to change

800.MOUNT.IT (800.668.6848)



01022013

OS50T technical data sheet



inches (mm)

	Packaging UPC	MC UPC
Americas	698833021943	10698833021940
International	698833021943	10698833021940

	Dimensions WxDxH Inches (mm)	Wt lbs (kg)	Qty
Box	7.8 x 7 x 2.9 (197x177x73)	2 (0.9)	NA
MC	11.8 x 7.7 x 8.9 (300x195x225)	8.4 (3.8)	4

Box Contents	Qty
Wall plate	1
Monitor plate	1
Monitor plate screw	1
Tilt tension knob	1
V200A adapter	4

Box Contents	Qty
Complete TV hardware kit	1
Complete wall hardware kit	1
Complete hardware kit	1
Instruction Manual	1

